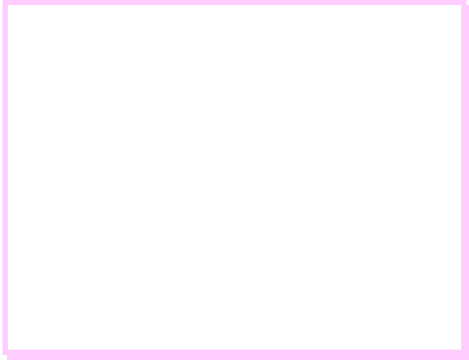


Power Choke

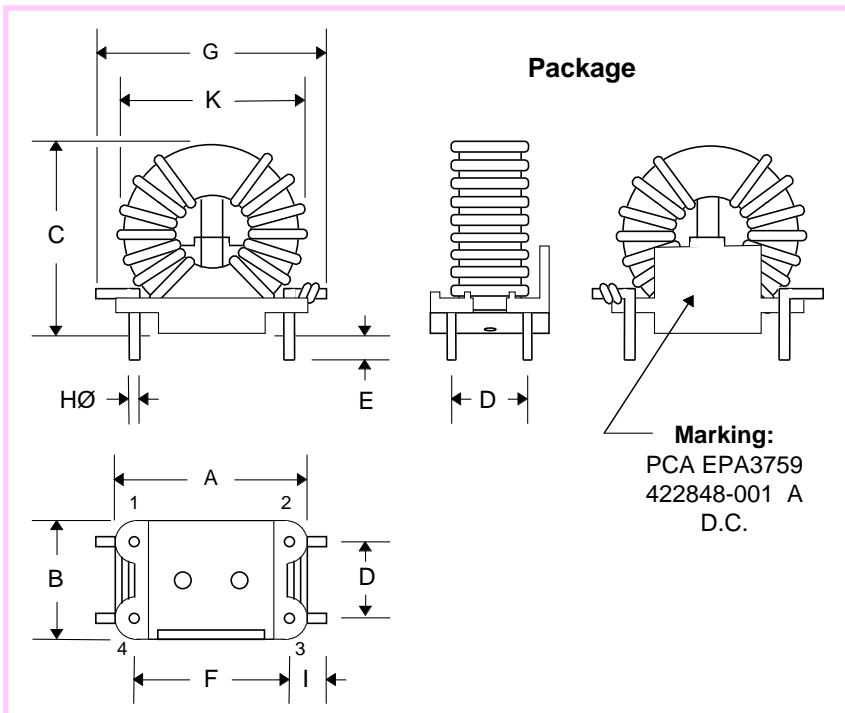
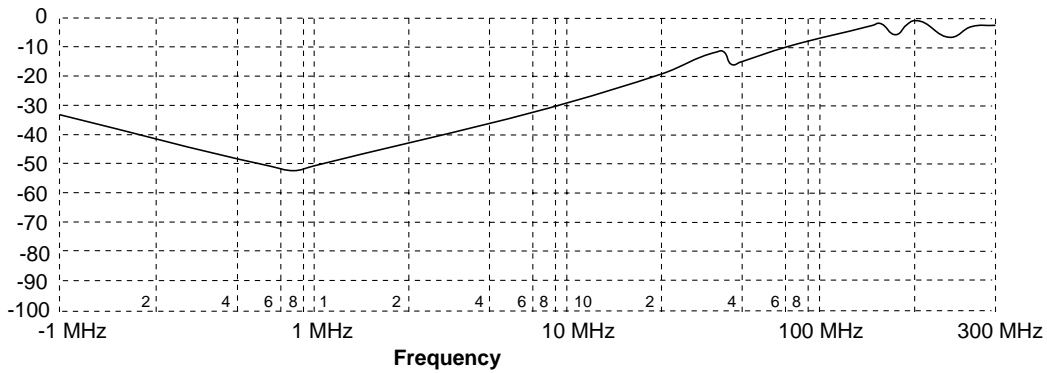
EPA3759



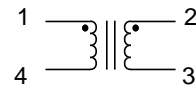
- Class 130 Insulating System •
- Current Rating: 3 Amperes •

Primary Specification

Inductance @ 1 KHz, 0.01 Vrms (mH ± 30%)	DCR (Ω Typ.)
16	0.082



Schematic



Dimensions

Dim.	(Inches)			(Millimeters)		
	Min.	Max.	Nom.	Min.	Max.	Nom.
A	---	---	1.20	---	---	30.48
B	---	---	.600	---	---	15.24
C	---	1.16	---	---	29.50	---
D	.390	.410	.400	9.91	10.41	10.16
E	.105	.135	.120	2.67	3.43	3.05
F	.790	.810	.800	20.07	20.57	20.32
G	---	---	1.20	---	---	30.48
H	---	.055	---	---	1.40	---
I	---	.200	---	---	5.08	---
K	---	---	.880	---	---	22.35